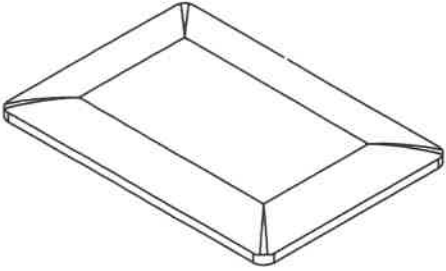
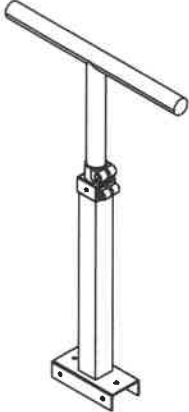
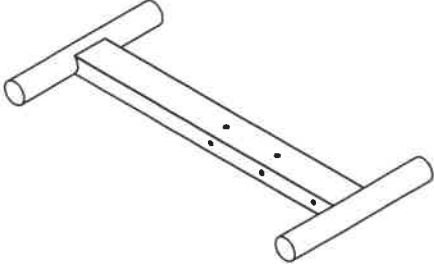
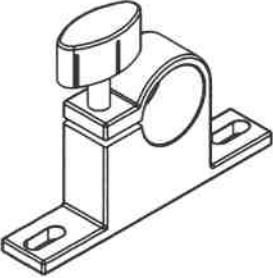
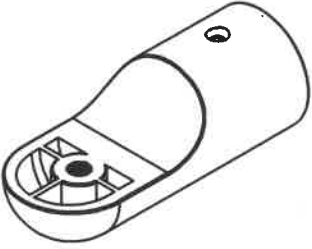
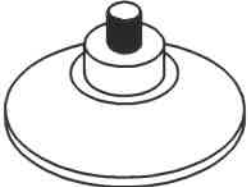
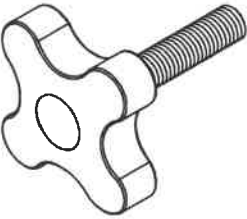





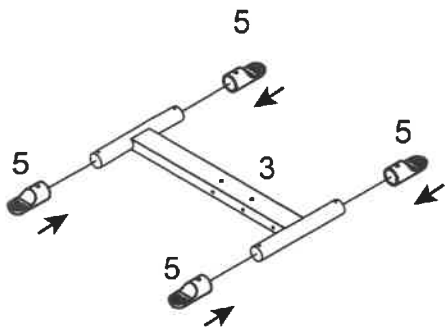
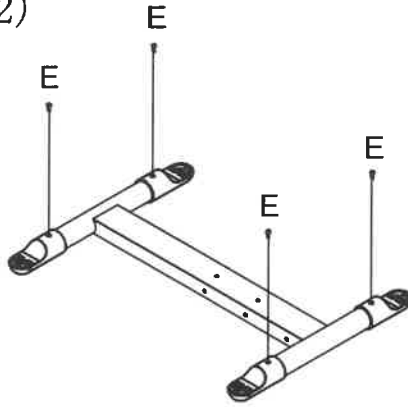


<p>1</p>  <p>X1</p>	<p>2</p>  <p>X1</p>	<p>3</p>  <p>X1</p>			
<p>4</p>  <p>X2</p>	<p>5</p>  <p>X4</p>	<p>6</p>  <p>X4</p>			
<p>7</p>  <p>X1</p>	 <p>X2</p>		 <p>X2</p>		
 <p>X4</p>	 <p>X4</p>		 <p>X4</p>		
<p>serial number</p> <p><b>C</b></p>	<p>model number</p> <p><b>M6X15</b></p>	<p>serial number</p> <p><b>D</b></p>	<p>model number</p> <p><b>M6Nut</b></p>	<p>serial number</p> <p><b>E</b></p>	<p>model number</p> <p><b>M4X15</b></p>

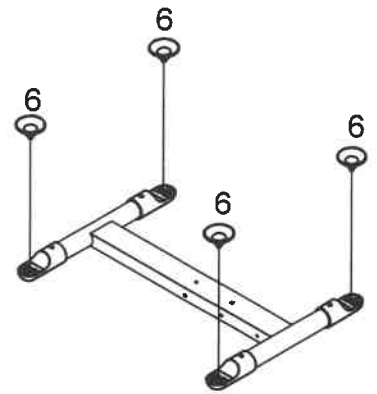
(1)



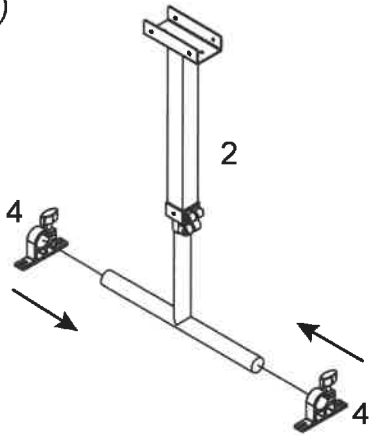
(2)



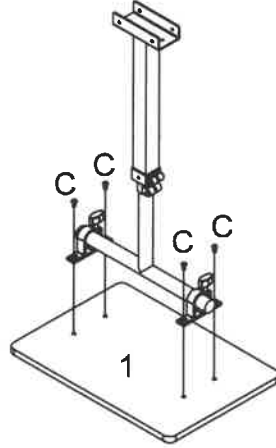
(3)



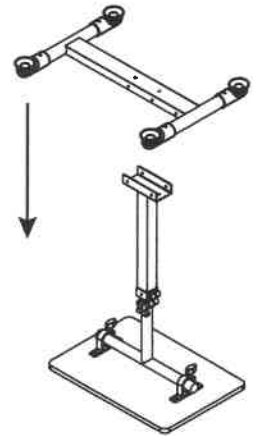
(4)



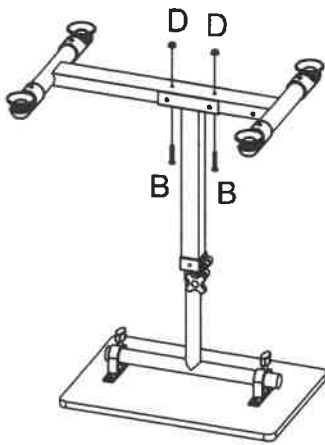
(5)



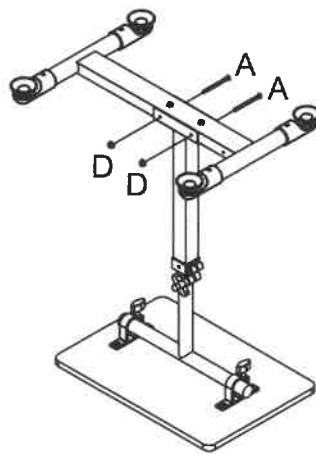
(6)



(7)



(8)



(9)

